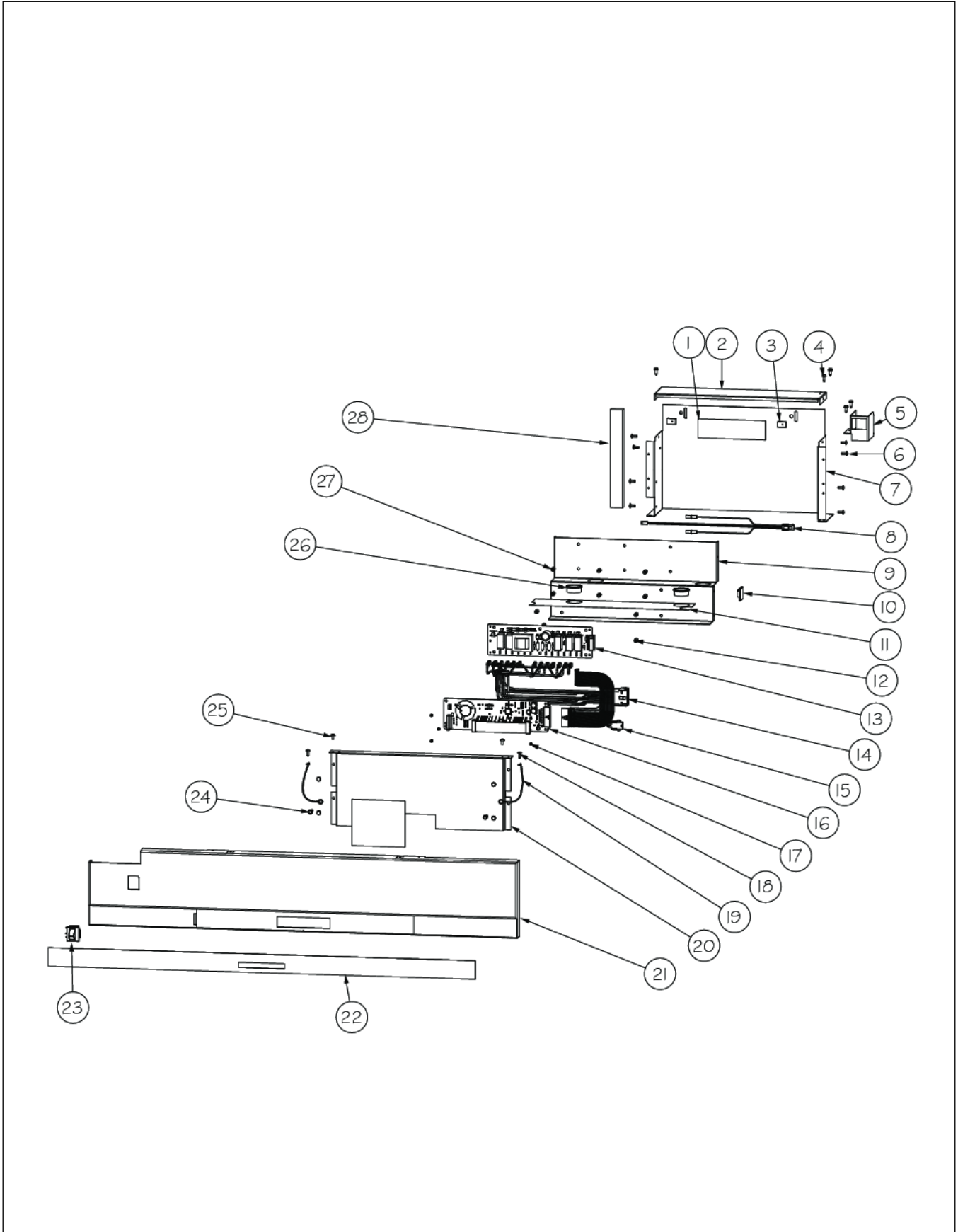


DFBB536

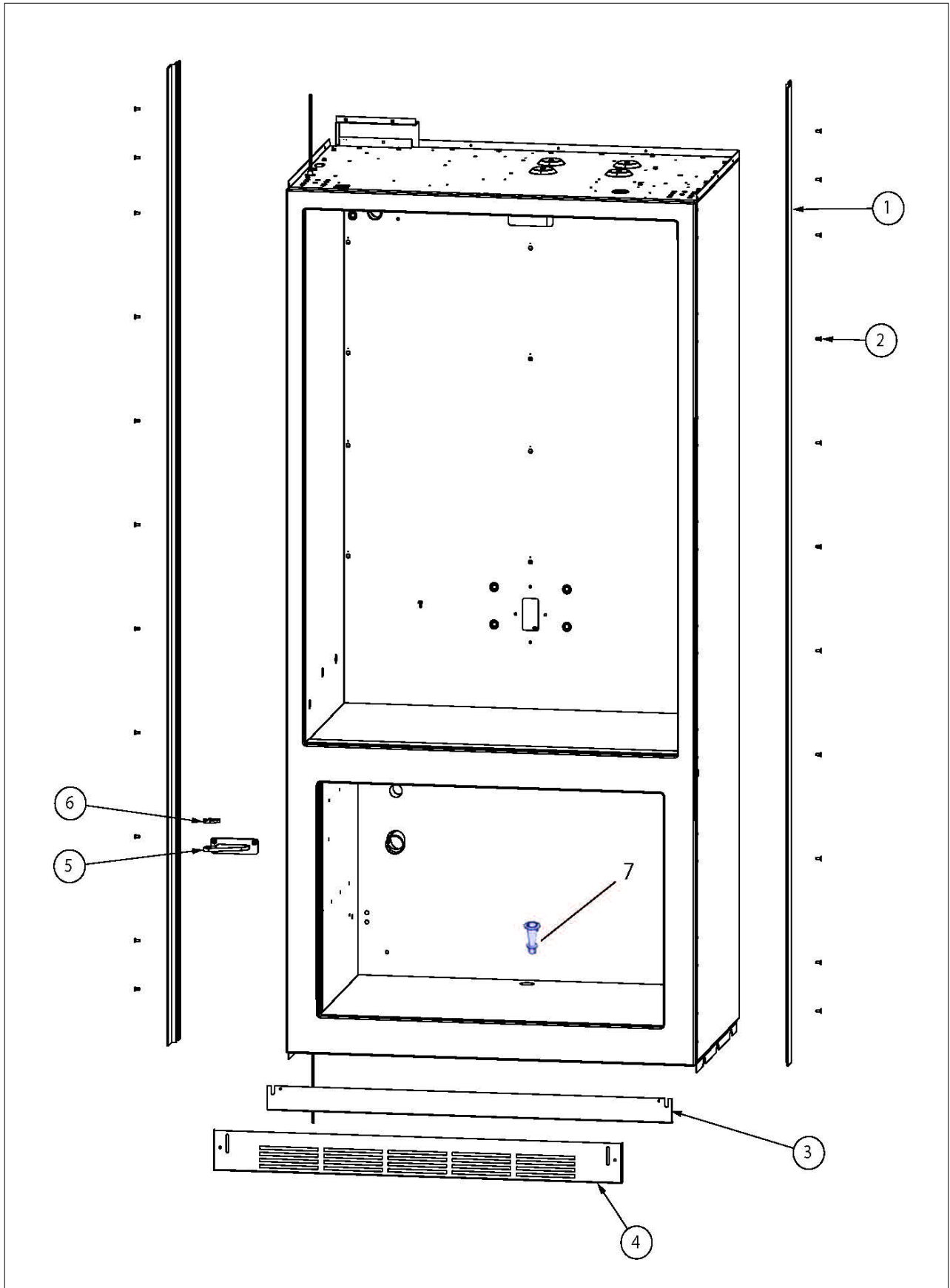
CONTROL ASSEMBLY	1
EXTERIOR ASSEMBLY	2
FREEZER DOOR ASSEMBLY	3
FREEZER INTERIOR ASSEMBLY	4
LOW SIDE ASSEMBLY	5
LOWER UNIT ASSEMBLY	6
MC COVER AND UPPER GRILLE ASSEM	7
REFRIG DOOR ASSEMBLY	8
REFRIG INTERIOR ASSEMBLY	9
SEALED SYSTEM ASSEMBLY	10
Appendix A:Pages Index	A
Appendix B:Parts Index	B

CONTROL ASSEMBLY



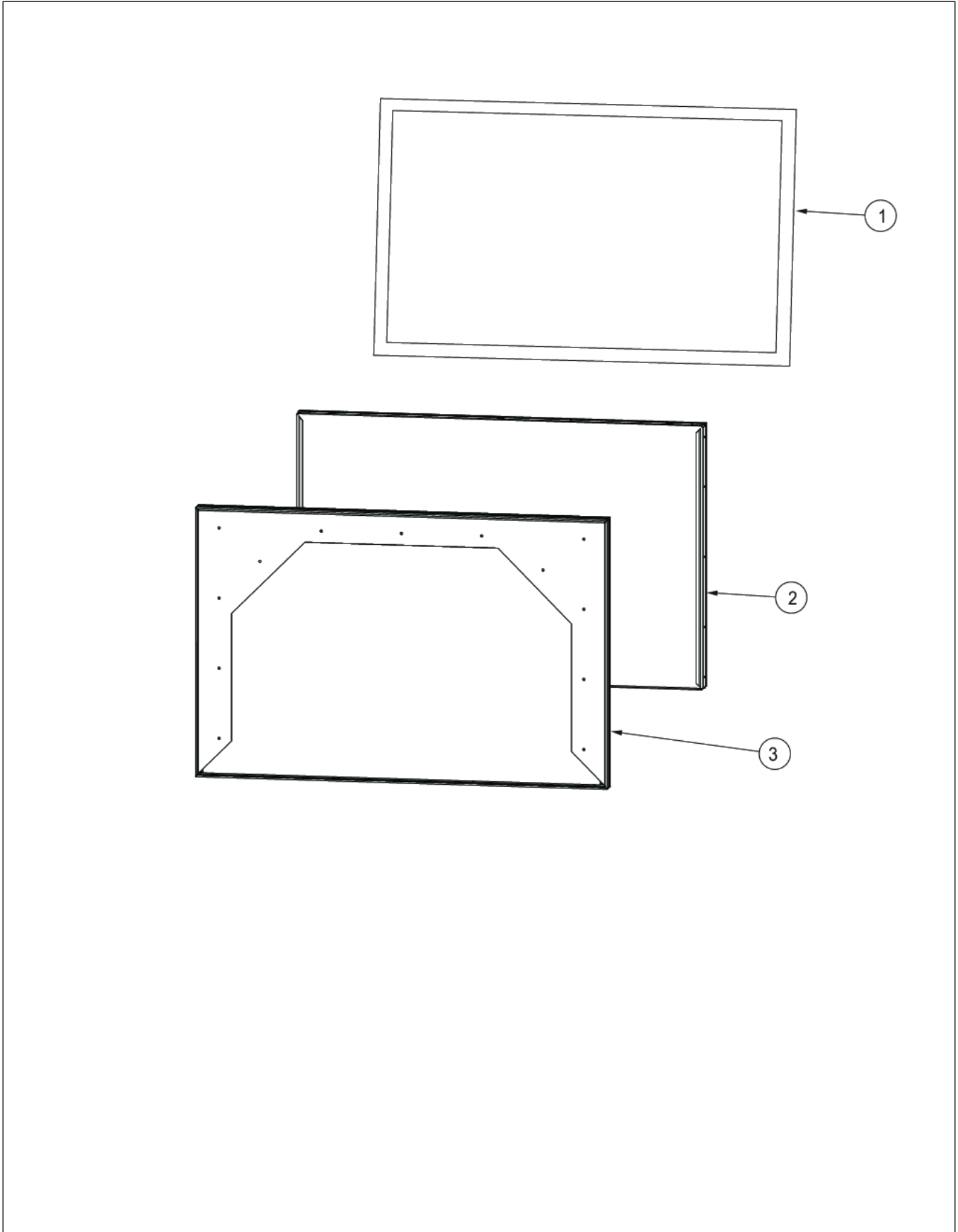
Item	Part No.	Name	Qty	Uom	NOTES
1	PF930487	TECH LITERATURE LABEL - 2	1	EA	
2	K20915000	CONTROL BOX TOP	1	EA	
3	M0288120	NUT-SPEED VM0288120	1	EA	
4	PD020194	SCR, HEX SRTD WSHR HD, #8-18 X 1/2	7	EA	
5	025433-000	BRACKET,SW,POWER	1	EA	
6	PC040010	POP RIVET (.063/GR -.125) GAMD42-A	8	EA	
7	K2099402	CONTROL BOX	1	EA	
8	PE970609	HARNESS CONTROL BOARD 5 SERIES	1	EA	
9	K20910060	BRACKET - PC	1	EA	
10	M0104106	CLIP-CORD VM0104106	1	EA	
11	005396-000	FILM,PROTECTIVE	1	EA	
12	M0585506	SUPPORT	4	EA	
13	005319-000	POWER CONTROL BOARD ASM 5 SERIES	1	EA	
14	015365-000	HARNESS HIGH VOLT	1	EA	NO LONGER AVAILABLE
15	PE970464	HARNESS LOW VOLT 5 SERIES	1	EA	
16	PE070728	BOARD LOW VOLTAGE	1	EA	
17	PD020013	TYPE "AB" #6 X 3/8 PH PAN HD. SMS	5	EA	
18	PC040010	POP RIVET (.063/GR -.125) GAMD42-A	2	EA	
19	12064001	SUPP-CONT PANEL	2	EA	
20	K20910061	CONTROL BOX FRONT	1	EA	
21	PK030459	PANEL CONTROL AR 36 L	1	EA	
22	010491-000	OVERLAY SWITCH BTM 36	1	EA	
23	PE950122	SWITCH	1	EA	
24	M0238846	SCREW-SHLDR	1	EA	
25	M0224128	SCREW-SM	1	EA	
26	A4554817	BUSHING-SNAP VA4554817	2	EA	
27	M0585504	SUPPORT PC BOARD	6	EA	
28	A3030361	GASKET RED	1	EA	

EXTERIOR ASSEMBLY



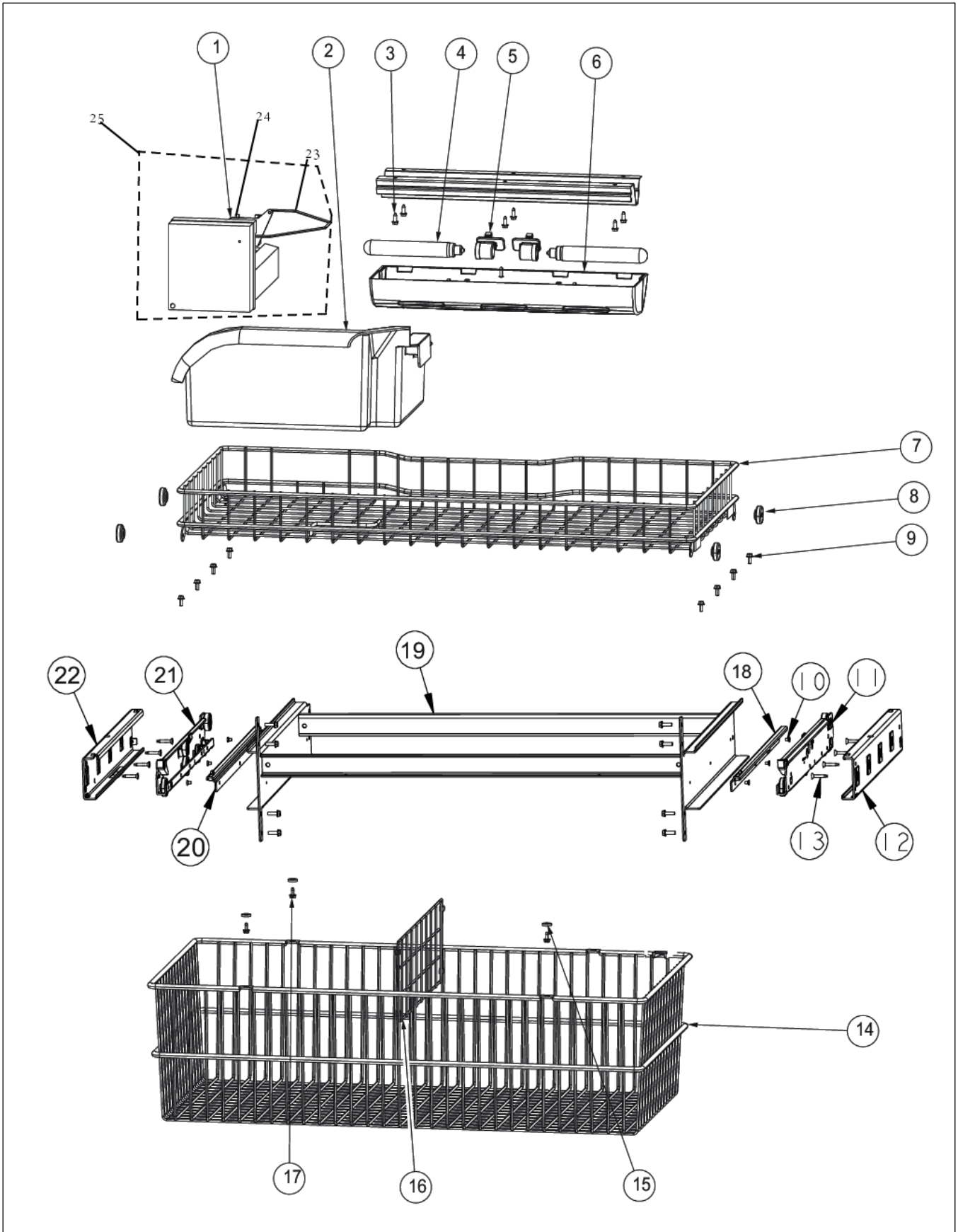
Item	Part No.	Name	Qty	Uom	NOTES
1	PK920066	TRIM, EXTRU, SIDE DES	2	EA	
2	M0215318	SCREW-SM	22	EA	
3	044137-000	KICKPLATE, LWR	1	EA	
4	044439-000	GRILLE TOE ASM BM 36 SS	1	EA	
	NOTE	(BLACK TOE GRILLE ASM IS NO LONGER AVAILABLE)		EA	
5	PC020249	HINGE ASM, LOWER, BM, LH (PRO/DES)	1	EA	
5	PC920170	HINGE ASM LOWER BM FO RH	1	EA	
6	PC020228	CAM DOOR CLOSURE BOTTOM BLACK	1	EA	
7	PK030540	DRAIN TUBE	1	EA	

FREEZER DOOR ASSEMBLY



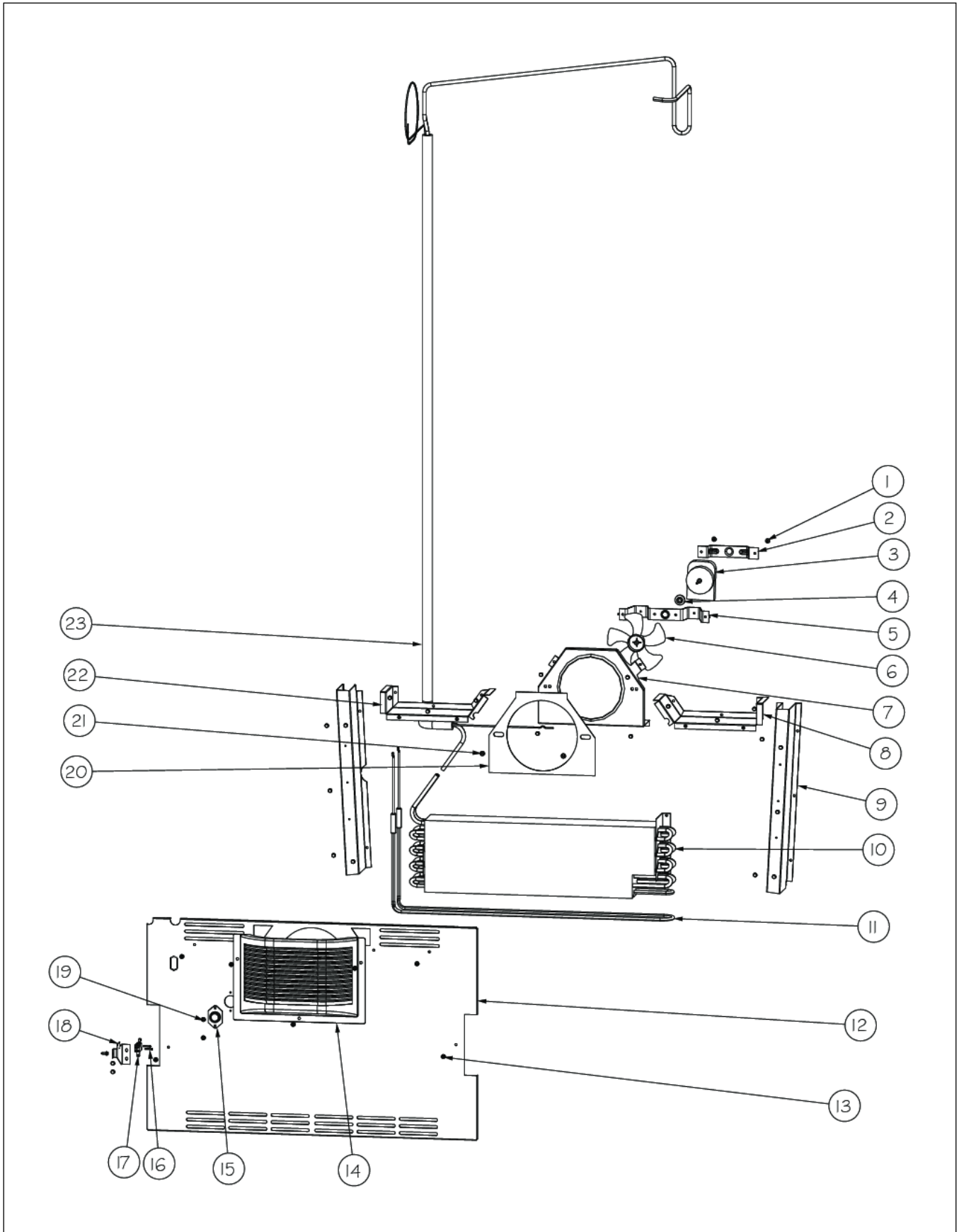
Item	Part No.	Name	Qty	Uom	NOTES
1	005450-000	GASKET,ASM,36,BM FZ VID# 602711717-17	1	EA	
2	007565-000	DOOR FOAM ASM 36 BM FZ	1	EA	
3	G3097171	PAN WELD ASM BM 36 FZ	1	EA	
NI	008785-000	DOOR ASM COMPLETE BM 36 FOL FZ	1	EA	
NI	002313-000	EXTRUSION,FOL,TOP,BM,FZ	1	EA	
NI	008254-000	BRACKET, FOL, Z BM	1	EA	
NI	003001-000	COVER, SCR, RBR, GRAY, FOL, BM	1	EA	

FREEZER INTERIOR ASSEMBLY



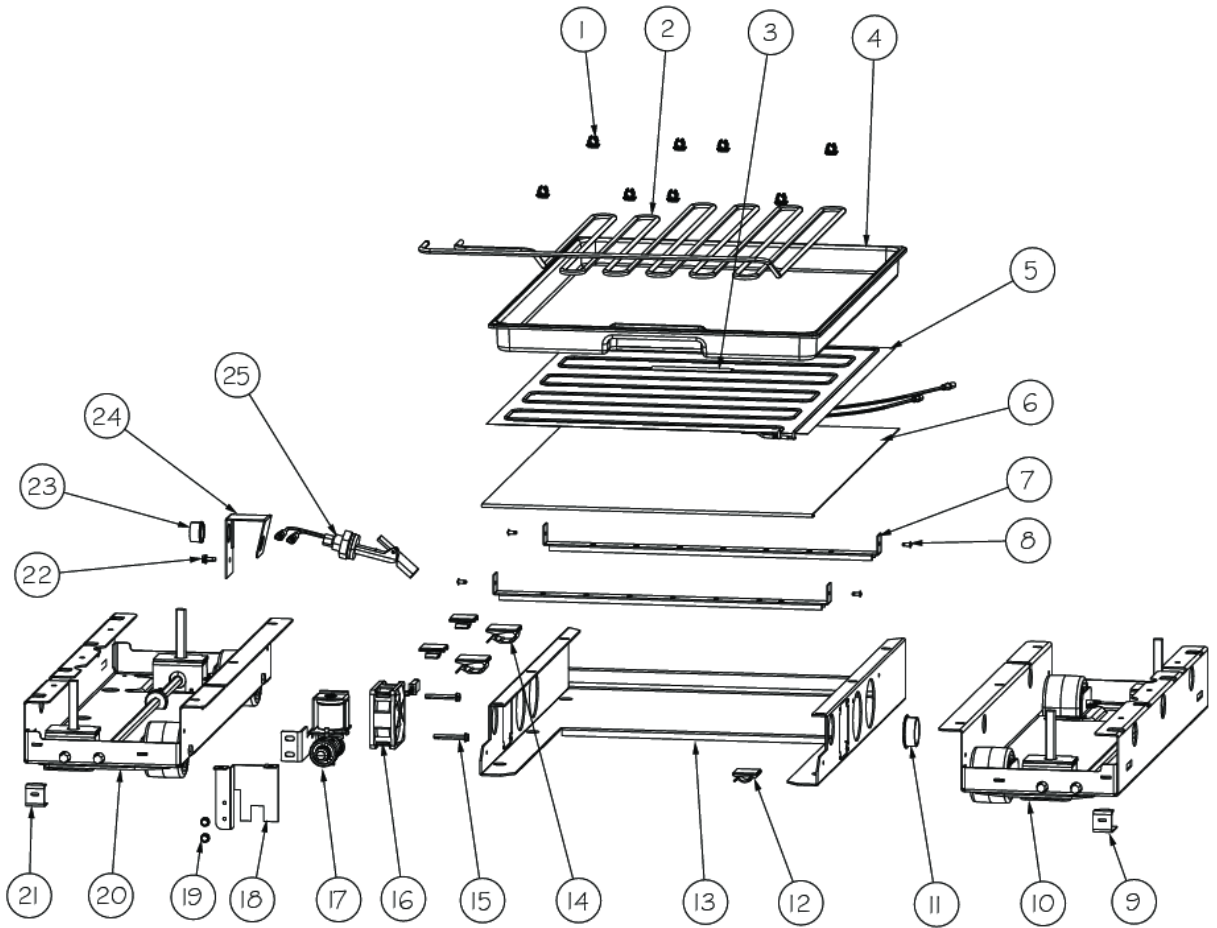
Item	Part No.	Name	Qty	Uom	NOTES
1	057731-000	ICEMAKER 7SERIES BM, 5 SERIES	1	EA	
2	PK930056	PAN ICE	1	EA	
3	PD020194	SCR, HEX SRTD WSHR HD, #8-18 X 1/2	6	EA	
4	004528-000	LAMP, 40 WATT BLUE LIGHT	2	EA	
5	PE950125	LIGHT SOCKET	2	EA	
6	12074501	COVER-FZ LIGHT	1	EA	
7	PM010630	BASKET, TOP	1	EA	
8	12088001	ROLLER-UP BSKT V12088001	3	EA	
9	PD920125	SCREW, NO.8 X 3/8 HEX HD.	5	EA	
10	001091-000	#8-32X1/4 FLAT PHIL HD TAPTITE	6	EA	
11	057856-000	MIDDLE MEMBER, SLIDE, BM 36, RH	1	EA	
12	PC080028	OUTER MEMBER, SLIDE RH (83102)	1	EA	
13	PD920174	10X7/8 PHILLIPS SMA TRI LOBE SA	1	EA	
14	PM910172	BASKET BOTTOM 36 BM FZ	1	EA	
15	M0274067	WASHER-NYLON	4	EA	
16	003995-000	DIVIDER, BOT BASKET	1	EA	
17	M0253916	SCREW-TF	4	EA	
18	PC080030	INNER MEMBER, SLIDE RH (83106)	1	EA	
19	PM010622	WELD FRAME ASM	1	EA	
20	PC080027	INNER MEMBER, SLIDE LH (83105)	1	EA	
21	057857-000	MIDDLE MEMBER, SLIDE, BM 36, LH	1	EA	
22	PC080025	OUTER MEMBER, SLIDE LH (83101)	1	EA	
23	PM910220	ARM-IM SHUTOFF	1	EA	
24	023112-000	HARNESS,ICE MAKER	1	EA	
25	G50911850	ICE MAKER ASMY, BM (See TR-0120-SP bulletin)	1	EA	

LOW SIDE ASSEMBLY



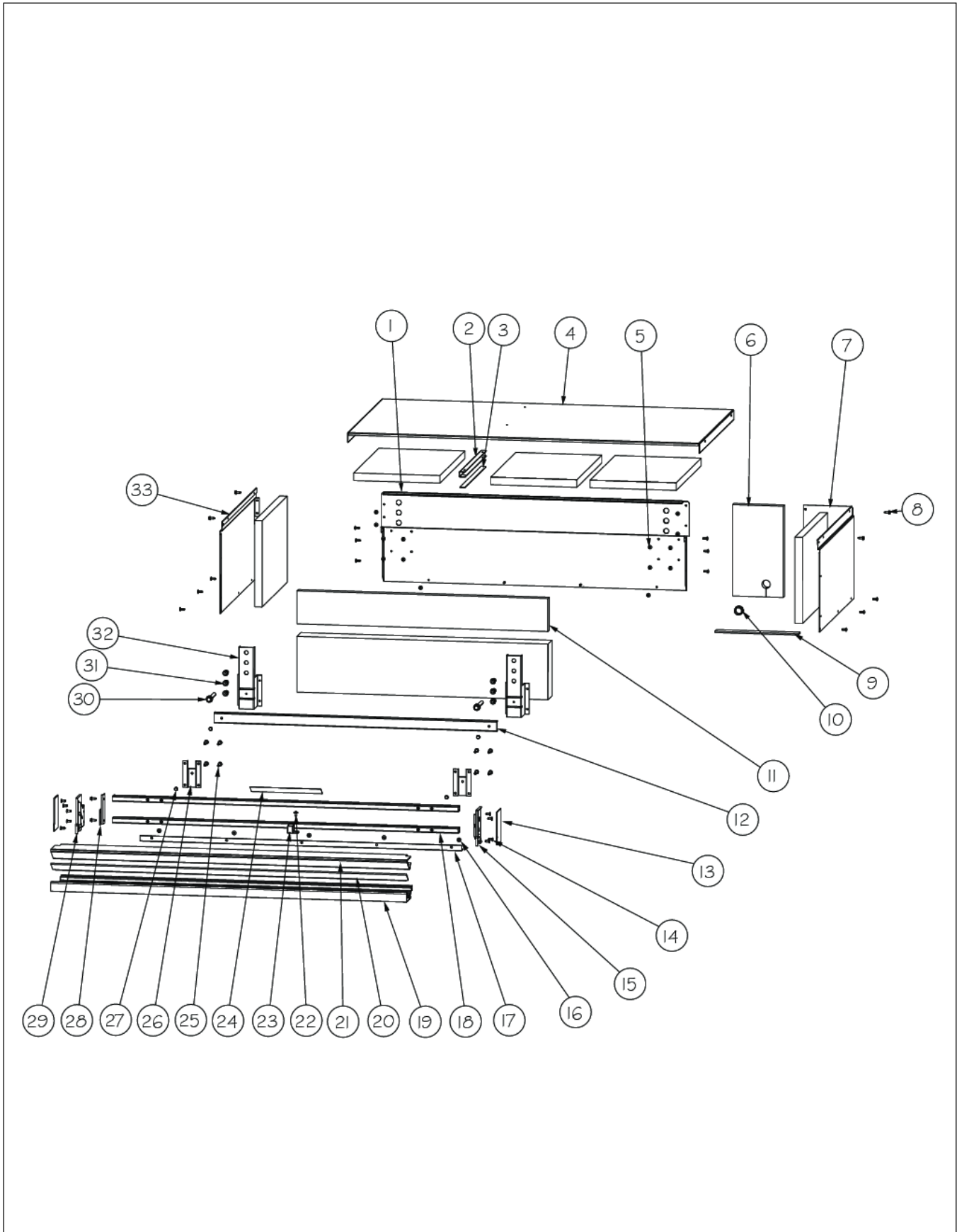
Item	Part No.	Name	Qty	Uom	NOTES
1	PD020193	SCR 8-18 X 3/8	22	EA	
2	L21910017	BRACKET FAN EVAP -- VEN	1	EA	
3	PE950153	MOTOR EVAP FAN	1	EA	
4	A1017202	GROMMET-FAN VA1017202	1	EA	
5	10656101	BRKT-MTR UP STEEL V1065601Q	1	EA	
6	12059901	FAN-EVAP/5.250 V12059901	1	EA	
7	PM910168	SHROUD EVAP FAN BM	1	EA	
8	K2097169	BRKT DIVIDER R	1	EA	
9	K2097172	RETURN AIR CHANNEL	2	EA	
10	PM910178	BOTTOM MOUNT EVAP	1	EA	
11	PJ910030	BOTTOM MOUNT EVAP HEATER	1	EA	
12	000247-000	COVER, EVAP, BM	1	EA	
13	M0211018	Screw, SM	7	EA	
14	12063301	COVER-FZ FAN V12063301	1	EA	
15	C8983701	THERMISTOR	1	EA	
16	M0213105	SCREW-SM	2	EA	
17	003471-000	SWITCH SNAP-ACTION BM 36	1	EA	
18	K2098398	36" BM SWITCH MOUNTING BRKT	1	EA	
19	M0211014	SCREW-SM	2	EA	
20	12102401	GSKT-EVAP FAN SHRD V12102401	1	EA	
21	PD020038	SCREW-#10 X 3/8 HEX WH.HD.T(F)GREEN	2	EA	
22	K2097168	BRKT DIVIDER L	1	EA	
23	031006-000	HEAT EXCHANGER ASM BM 36	1	EA	
NI	058966-000	THERMOSTAT, SNAP ACTION, 55 OPEN 20 CLOSE	1	EA	

LOWER UNIT ASSEMBLY



Item	Part No.	Name	Qty	Uom	NOTES
1	PD030146	STAND OFF LOCK CLIP	1	EA	
2	F2096549	SERPENTINE-DRAIN 12131801	1	EA	
3	PF031267	LABEL HEATER PAN	1	EA	
4	PK930348	PAN DRAIN	1	EA	
5	G50911853	TRAY PAN HEATER	1	EA	
6	L20914124WH	TRAY PAN HEATER	1	EA	
7	K20911831	BRACKET CONDENSATE SUPPORT	2	EA	
8	10699601	DAMPER-TUBING .8	4	EA	
9	K2098044	BRKT GRILLE SUPPORT RH	1	EA	
10	060890-000	LEVELER, MODULE, R	1	EA	
11	A4554817	BUSHING-SNAP VA4554817	1	EA	
12	M0104106	CLIP-CORD VM0104106	3	EA	
13	K20915952	SHIELD BOTTOM DRAIN	1	EA	
14	M0104102	CLIP-CORD RED	1	EA	
15	PD020274	SCR SLTD HEX WSHR HD 8X1.250 BT	1	EA	
16	013112-000	AXIAL FAN	1	EA	
17	PA970012	SINGLE WATER VALVE	1	EA	
18	K20913788	BRKT VALVE H2O SINGLE	1	EA	
19	M0220417	SCREW-TC	1	EA	
20	060891-000	LEVELER, MODULE, L	1	EA	
21	K2098096	BRKT GRILLE SUPPORT LH	1	EA	
22	M0253916	SCREW-TF	1	EA	
23	A4554806	BUSHING-SNAP VA4554806	1	EA	
24	B20915627	BRACKET HORIZ FLOAT SWITCH	1	EA	
25	PE050248	FLOAT SWITCH HORIZONTAL	1	EA	
NI	PM010581	GRILLE LOWER 36 BM RH	1	EA	Not available online / Call for pricing and availability
NI	PB020305	PLASTIC TUBING, IM WATERLINE BM	1	EA	

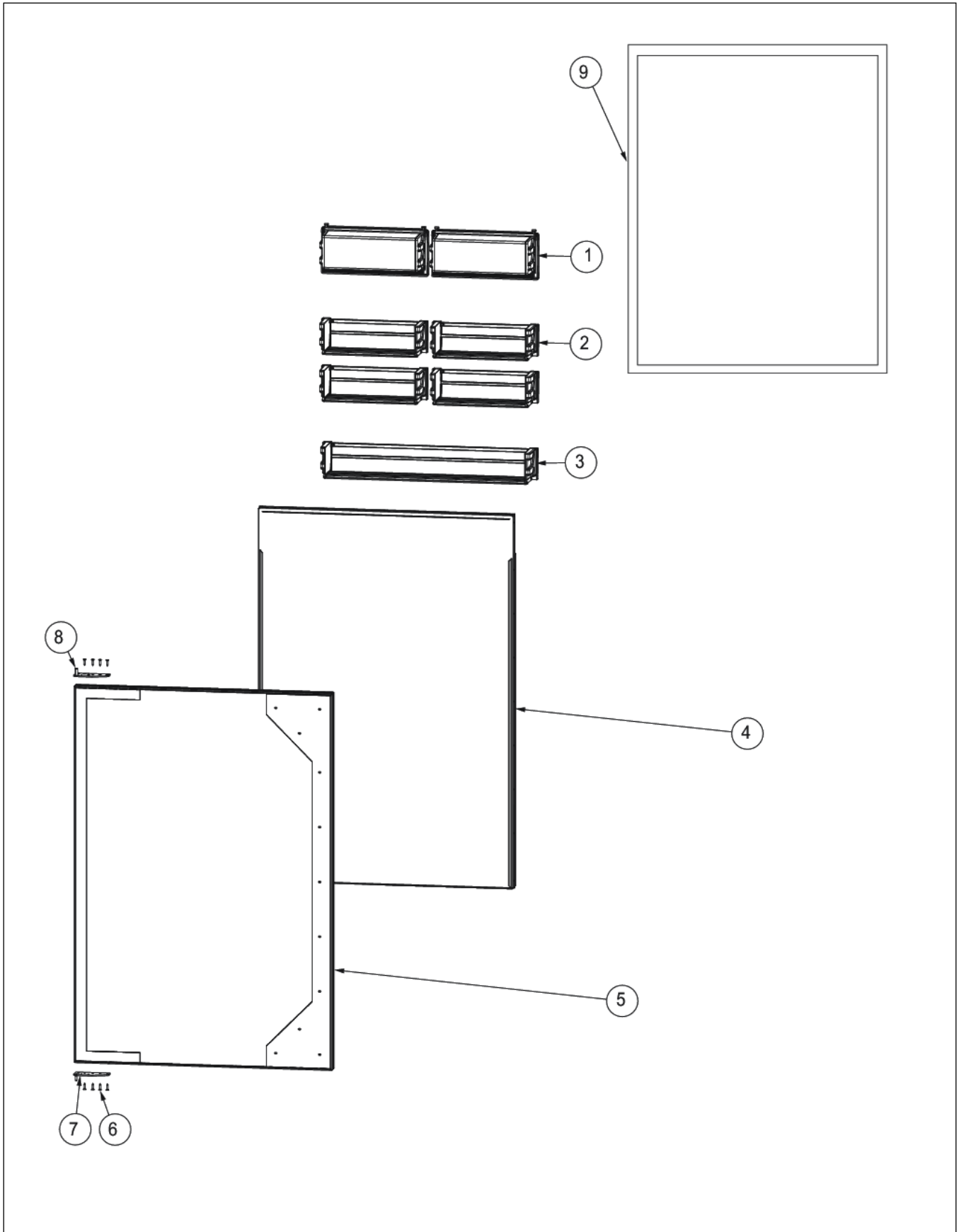
MC COVER AND UPPER GRILLE ASSEM



Item	Part No.	Name	Qty	Uom	NOTES
1	K2099933	MC BACK 36	1	EA	
2	K2099455	SUPPORT MC Z	1	EA	
3	G5099929	MC COVER WELD	1	EA	Not available online / Call for pricing and availability
4	K2099931	MC TOP 36	1	EA	
5	PC040010	POP RIVET (.063/GR -.125) GAMD42-A	28	EA	
6	PB970171	MC INSULATION - BACK SIDE	1	EA	Not available online / Call for pricing and availability
7	K2099459	MC SIDE (RIGHT)	1	EA	
8	PD020194	SCR, HEX SRTD WSHR HD, #8-18 X 1/2	10	EA	
9	A3189370	GASKET, FOAM	2	EA	
10	A4554806	BUSHING-SNAP VA4554806	1	EA	
11	PB070358	INSULATION MC COVER	1	EA	
12	K20915902	CROSSMEMBER PSM 36	1	EA	
13	PM910071	COVER - END CAP 12119801	2	EA	
14	M0215318	SCREW-SM	9	EA	
15	PM910348	ENP CAP GRILLE R	1	EA	
16	M0224128	SCREW-SM	5	EA	
17	002035-000	GRILLE EXTENSION, BM36	1	EA	
18	042922-000	BRACKET, GRILLE	2	EA	
19	PM010582	GRILLE LOWER 36 BM LH	1	EA	
NI	PM010581	GRILLE LOWER 36 BM RH	1	EA	Not available online / Call for pricing and availability
20	PM910429	GRILLE LOUVER MID AF AR 36 DES FOL	1	EA	NO LONGER AVAILABLE
21	PM910418	GRILLE LOUVER UPPER AF AR 36 DES FOL	1	EA	NO LONGER AVAILABLE
22	M0230028	SCREW-TC	1	EA	
23	PM910084	SUPPORT GRILLE 12201201	1	EA	No Longer Used
24	PF930523	GRILL BLADE LABEL (REFRIGERATOR)	1	EA	

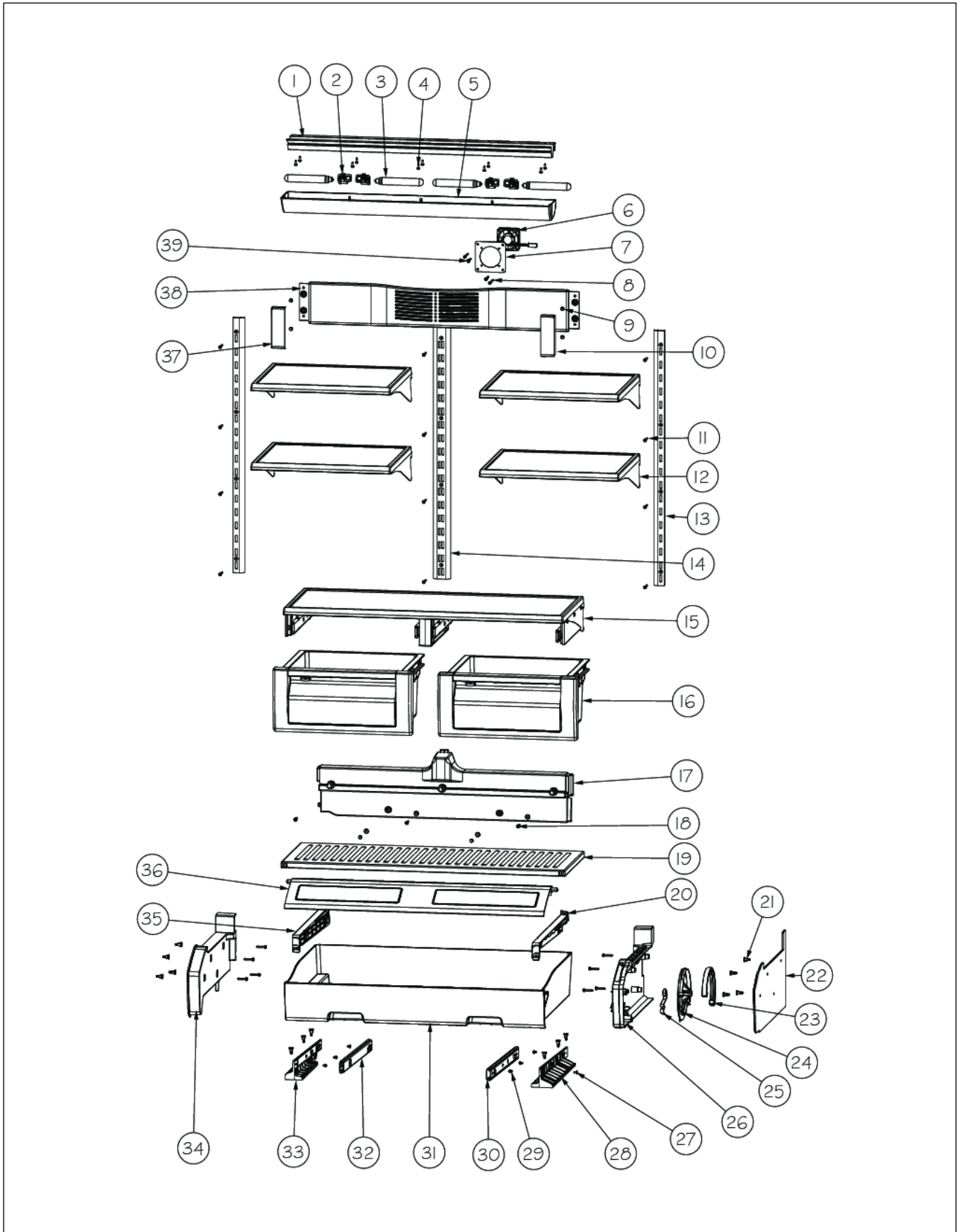
Item	Part No.	Name	Qty	Uom	NOTES
25	M0213147	SCREW-SM	8	EA	
26	PK050004	BRACKET GRILLE 5 SERIES	2	EA	
27	PD020194	SCR, HEX SRTD WSHR HD, #8-18 X 1/2	4	EA	
28	K2099471	BRACKET GRILLE SUPPORT L	1	EA	
29	PM910349	END CAP GRILLE L	1	EA	
30	PD020233	SCR LAG 5/16-9 GX 5/16X7/16 WAF IHXW 3 S ZN	2	EA	
26	PD040157	BEARING SLEEVE	6	EA	
27	K20915675	BRACKET PSM	2	EA	
28	K2099460	MC SIDE L	1	EA	
NI	019581-000	GRILLE ASM, 36 BTM FOL RH	1	EA	
NI	019580-000	GRILLE ASM, 36 BTM FOL LH	1	EA	

REFRIG DOOR ASSEMBLY



Item	Part No.	Name	Qty	Uom	NOTES
1	V12097404	DAIRY MODULE ASM RPLS V12062603S	2	EA	
2	036882-000	DOORBIN ASM FF 36 HALF	4	EA	
3	036884-000	DOORBIN ASM FF 36 FULL	1	EA	
4	007569-000	DOOR ASM, FF 36 BM	1	EA	
5	G30915956	PAN WELD ASM 36 BM	1	EA	
6	PD920174	10X7/8 PHILLIPS SMA TRI LOBE SA	8	EA	
7	PC020287	PIVOT PL ASM LH LW FOL	1	EA	
7	PC020286	PIVOT PL ASM RH LW FOL	1	EA	
8	PC020285	PIVOT PL ASM LH UP FOL	1	EA	
8	042385-000	FOL LH, BM 4 Hole Pivot Plate Kit	1	EA	
	NOTE	(MANUFACTURED BEFORE 8/10/2012)		EA	
8	031383-000	PIVOT PLATE ASM RH UP FOL BM	1	EA	
8	042386-000	FOL RH, 4 HOLE PIVOT PLATE KIT		EA	
	NOTE	(MANUFACTURED BEFORE 8/10/2012)		EA	
9	005449-000	GASKET,ASM,36,BM FF VID# 602711707-17	1	EA	
NI	007572-000	DOOR ASM, FF 36 BM W/GASKET	1	EA	
NI	008788-000	DOOR ASM COMPLETE BM 36 FOL FF R	1	EA	
NI	003001-000	COVER, SCR, RBR, GRAY, FOL, BM	1	EA	

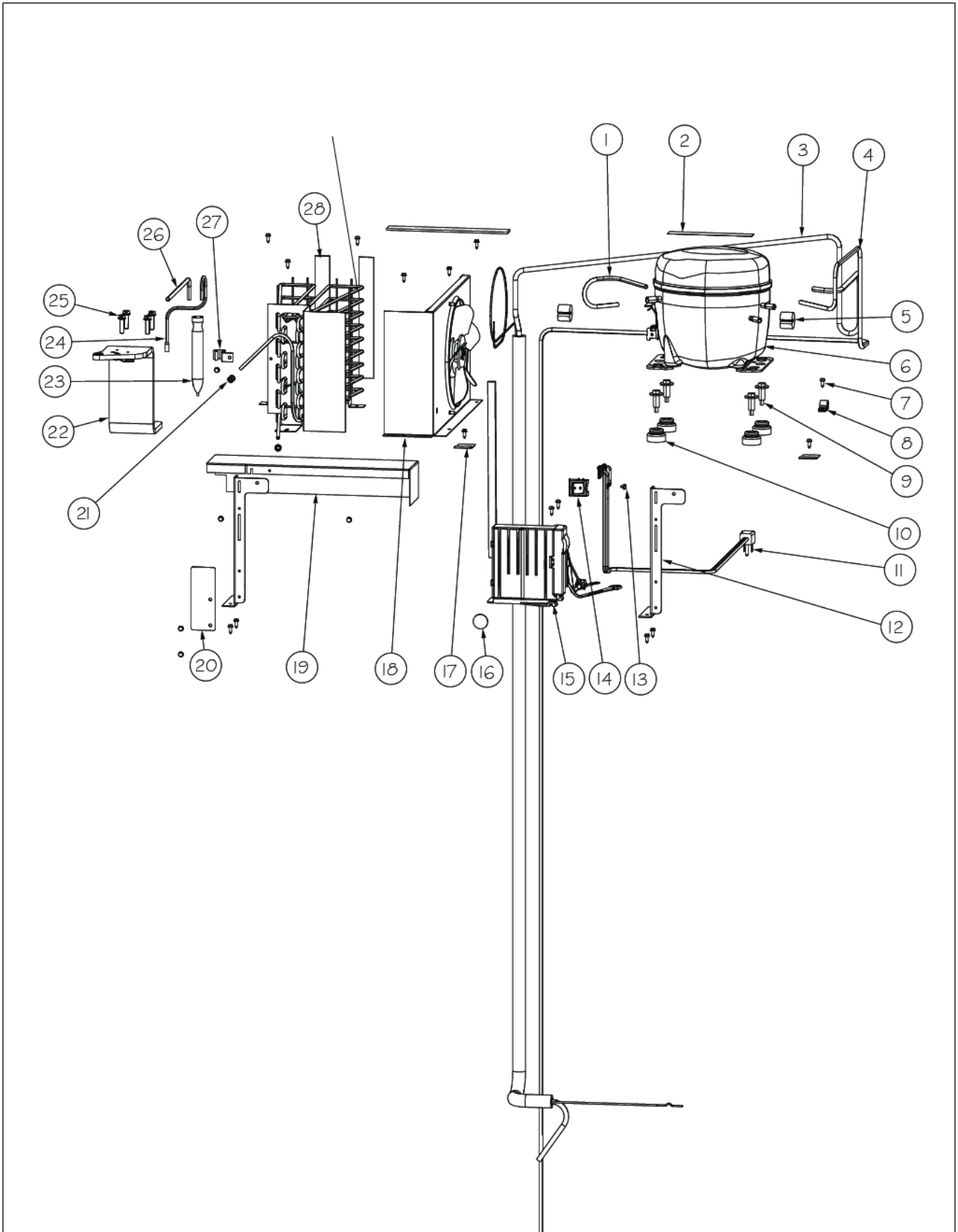
REFRIG INTERIOR ASSEMBLY



Item	Part No.	Name	Qty	Uom	NOTES
1	L20910705	BRACKET LIGHT SXS 48 FF	1	EA	
2	PE950125	LIGHT SOCKET	4	EA	
3	004528-000	LAMP, 40 WATT BLUE LIGHT	4	EA	
4	PD020194	SCR, HEX SRTD WSHR HD, #8-18 X 1/2	12	EA	
5	020123-000	COVER LIGHT ASM AF/AR/BM 36	1	EA	
6	013112-000	AXIAL FAN	1	EA	
7	K2096475	FAN MOUNTING PLATE	1	EA	
8	M0221913	SCREW-SM	2	EA	
9	PD020195	SCR 8-18 X 5/8	3	EA	
10	12070201	CAP-R FAN COVER V12070201	1	EA	
11	M0238535	SCREW-SM	12	EA	
12	PM910351	SHELF ASM GLASS BM 36 FF	4	EA	
13	PK020074	LADDER SIDE BTM 36	2	EA	
14	12071501	LADDER-CTR CANT V12071501	1	EA	
15	G50911908	SHELF & SLIDE ASM 36 AR & 36 BM	1	EA	
16	083567-000	DRAWER, PRODUCE ASM, AR/BM 36"	2	EA	NO LONGER INCLUDES METAL RAIL. IF NEEDED, MUST ORDER SOFT CLOSE SLIDES.
17	PK930388	DUCT, MEATSAVOR REAR BM 36	1	EA	
18	M0211021	SCREW-SM	11	EA	
19	PK930286	SHELF MEATSAVOR AR/BM 36	1	EA	
20	PK930175	SUPPORT DRAWER MEAT SAVIOR SXS 42/48 R	1	EA	
21	M0581001	GROMMET-SCREW VM0581001	16	EA	
22	PK930283	DUCT MEATSAVOR SPACER	1	EA	
23	PK930172	COVER CONTROL MEAT SAVIOR	1	EA	
24	044384-000	DIAL CONTROL MEAT SAVIOR	1	EA	
25	PM910334	ROLLER TENSION	1	EA	
26	044232-000	DUCT MEAT SAVIOR (R)	1	EA	

Item	Part No.	Name	Qty	Uom	NOTES
27	M0224128	SCREW-SM	1	EA	
28	PK930173	SUPPORT SLIDE MEAT SAVOR SXS 42/48 R	1	EA	
29	PD920162	SCR 8-16 PLASTITE PNP 1/4 S	6	EA	
30	PM910287	SLIDE MEAT SAVOR R	1	EA	
31	PK930278	DRAWER MEAT SAVOR AR BM 36	1	EA	
32	PM910288	SLIDE MEAT SAVOR L	1	EA	
33	PK930174	SUPPORT SLIDE MEAT SAVOR SXS 42/48 L	1	EA	
34	PK930284	DUCT MEATSAVOR LEFT	1	EA	
35	PK930176	SUPPORT DRAWER MEAT SAVOR 42/48 L	1	EA	
36	009916-000	MEAT SAVOR LID/DOOR 36AR/BM36	1	EA	
37	12070202	CAP-L FAN COVER V12070202	1	EA	
38	12067401	FAN COVER	1	EA	
39	PD020188	SCR 8-18 BT HXWS 1 1/2	2	EA	

SEALED SYSTEM ASSEMBLY



Item	Part No.	Name	Qty	Uom	NOTES
1	F2096507	TUBE-PROCESS GRN	1	EA	
2	C8982701	LABEL-COMP WARN	1	EA	
3	031006-000	HEAT EXCHANGER ASM BM 36	1	EA	
4	F296517	DISCHARGE TUBE 12414401	1	EA	Not available online / Call for pricing and availability
5	10699601	DAMPER-TUBING .8	2	EA	
6	PM010619	COMPRESSOR VCC AF	1	EA	
7	PD020194	SCR, HEX SRTD WSHR HD, #8-18 X 1/2	20	EA	
8	PD030118	INSULATED CLAMP	1	EA	
9	M0221523	SCREW - SHLDR	4	EA	
10	10835901	GROMMET RUBBER V10835901	4	EA	
11	059105-000	CORD, PWR, BM, LEAD TERMINALS	1	EA	
12	K20912569	BRACKET GRILLE SUPPORT	2	EA	
13	M0211014	SCREW-SM	1	EA	
14	PE950149	SWITCH POWER	1	EA	
15	011666-000	INVERTER,CMPR,ASM, see 2018-01AP before ordering	1	EA	
16	PF930682	LABEL WARNING INVERTER	1	EA	
17	K2096943	PANEL BRACKET	2	EA	
18	G5096494	COND. FAN ASSY	1	EA	
19	K20912361	DIVERTER AIR HI SIDE 36	1	EA	Not available online / Call for pricing and availability
20	000975-000	SUPPORT, FAN SWITCH	1	EA	
21	007407-000	RING,LOK, .187 DIA	2	EA	
22	G50914180	TOP HINGE ASM L 36 BM	1	EA	
22	G50914173	TOP HINGE ASM R 36 BM	1	EA	
23	084132-000	DRIER, SVRC	1	EA	
24	F2096669	TUBE-DRIER COND	1	EA	
25	000570-000	FASTENER, BOLT, 1/4-20 IHXWS 1" S ZN SER	4	EA	Test
26	F2097740	TUBE PROCESS	1	EA	

Item	Part No.	Name	Qty	Uom	NOTES
27	10547001	CLIP-DRIER V10547001	1	EA	
28	A3189370	GASKET, FOAM	3	EA	
29	068353-000	CONDENSER ASM W/COPPER ENDS	1	EA	



Appendix A:Pages Index

CONTROL ASSEMBLY 1
EXTERIOR ASSEMBLY 2
FREEZER DOOR ASSEMBLY 3
FREEZER INTERIOR ASSEMBLY 4
LOW SIDE ASSEMBLY 5
LOWER UNIT ASSEMBLY 6
MC COVER AND UPPER GRILLE ASSEM 7
REFRIG DOOR ASSEMBLY 8
REFRIG INTERIOR ASSEMBLY 9
SEALED SYSTEM ASSEMBLY 10

Appendix B:Parts Index

000247-000	5	044384-000	9
000570-000	10	044439-000	2
000975-000	10	057731-000	4
001091-000	4	057856-000	4
002035-000	7	057857-000	4
002313-000	3	058966-000	5
003001-000	3, 8	059105-000	10
003471-000	5	060890-000	6
003995-000	4	060891-000	6
004528-000	4, 9	068353-000	10
005319-000	1	083567-000	9
005396-000	1	084132-000	10
005449-000	8	10547001	10
005450-000	3	10656101	5
007407-000	10	10699601	6, 10
007565-000	3	10835901	10
007569-000	8	12059901	5
007572-000	8	12063301	5
008254-000	3	12064001	1
008785-000	3	12067401	9
008788-000	8	12070201	9
009916-000	9	12070202	9
010491-000	1	12071501	9
011666-000	10	12074501	4
013112-000	6, 9	12088001	4
015365-000	1	12102401	5
019580-000	7	A1017202	5
019581-000	7	A3030361	1
020123-000	9	A3189370	7, 10
023112-000	4	A4554806	6, 7
025433-000	1	A4554817	1, 6
031006-000	5, 10	B20915627	6
031383-000	8	C8982701	10
036882-000	8	C8983701	5
036884-000	8	F2096507	10
042385-000	8	F2096549	6
042386-000	8	F2096669	10
042922-000	7	F2097740	10
044137-000	2	F296517	10
044232-000	9	G30915956	8
		G3097171	3

G50911850	4	M0213147	7
G50911853	6	M0215318	2, 7
G50911908	9	M0220417	6
G50914173	10	M0221523	10
G50914180	10	M0221913	9
G5096494	10	M0224128	1, 7, 9
G5099929	7	M0230028	7
K20910060	1	M0238535	9
K20910061	1	M0238846	1
K20911831	6	M0253916	4, 6
K20912361	10	M0274067	4
K20912569	10	M0288120	1
K20913788	6	M0581001	9
K20915000	1	M0585504	1
K20915675	7	M0585506	1
K20915902	7	PA970012	6
K20915952	6	PB020305	6
K2096475	9	PB070358	7
K2096943	10	PB970171	7
K2097168	5	PC020228	2
K2097169	5	PC020249	2
K2097172	5	PC020285	8
K2098044	6	PC020286	8
K2098096	6	PC020287	8
K2098398	5	PC040010	1, 1, 7
K2099402	1	PC080025	4
K2099455	7	PC080027	4
K2099459	7	PC080028	4
K2099460	7	PC080030	4
K2099471	7	PC920170	2
K2099931	7	PD020013	1
K2099933	7	PD020038	5
L20910705	9	PD020188	9
L20914124WH	6	PD020193	5
L21910017	5	PD020194	1, 4, 7, 7, 9, 10
M0104102	6	PD020195	9
M0104106	1, 6	PD020233	7
M0211014	5, 10	PD020274	6
M0211018	5	PD030118	10
M0211021	9	PD030146	6
M0213105	5	PD040157	7



PD920125	4	PM910172	4
PD920162	9	PM910178	5
PD920174	4, 8	PM910220	4
PE050248	6	PM910287	9
PE070728	1	PM910288	9
PE950122	1	PM910334	9
PE950125	4, 9	PM910348	7
PE950149	10	PM910349	7
PE950153	5	PM910351	9
PE970464	1	PM910418	7
PE970609	1	PM910429	7
PF031267	6	V12097404	8
PF930487	1		
PF930523	7		
PF930682	10		
PJ910030	5		
PK020074	9		
PK030459	1		
PK030540	2		
PK050004	7		
PK920066	2		
PK930056	4		
PK930172	9		
PK930173	9		
PK930174	9		
PK930175	9		
PK930176	9		
PK930278	9		
PK930283	9		
PK930284	9		
PK930286	9		
PK930348	6		
PK930388	9		
PM010581	6, 7		
PM010582	7		
PM010619	10		
PM010622	4		
PM010630	4		
PM910071	7		
PM910084	7		
PM910168	5		